

MS

Detacher DX50U

MAGNETIC DETACHERS NEDAP HARD TAGS WITH 'NORMAL' LOCK AS WELL AS 'STRONG' LOCK.



guntag & tagging
tagging

specifications

- Magnetic detacher useable for Nedap R40M, R50M and R50U tags with 'normal' lock as well as with 'strong' lock.
- Available in two types:
 - Desk Top
 - Table mount (Build into packing table)



options

- Detacher lock

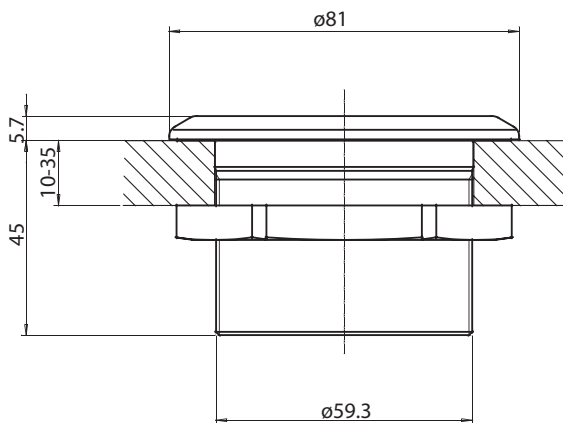
technical specifications

- Temperature range : 0°C - +45°C
- Weight : ca. 400 g

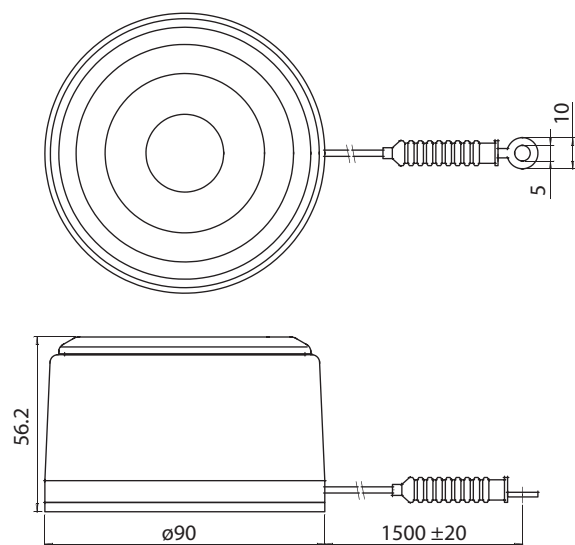
ordering information

	Description		Article number
MS	Detacher DX50U	Table mount	9901639
MS	Detacher Lock DX50U	Lock	9902139
S	Detacher DX50U	Desk top	9901841

table mount



desk top



tagging & tagging